



BELT PRESS MACHINE

HIGH PERFORMANCE DEWATERING

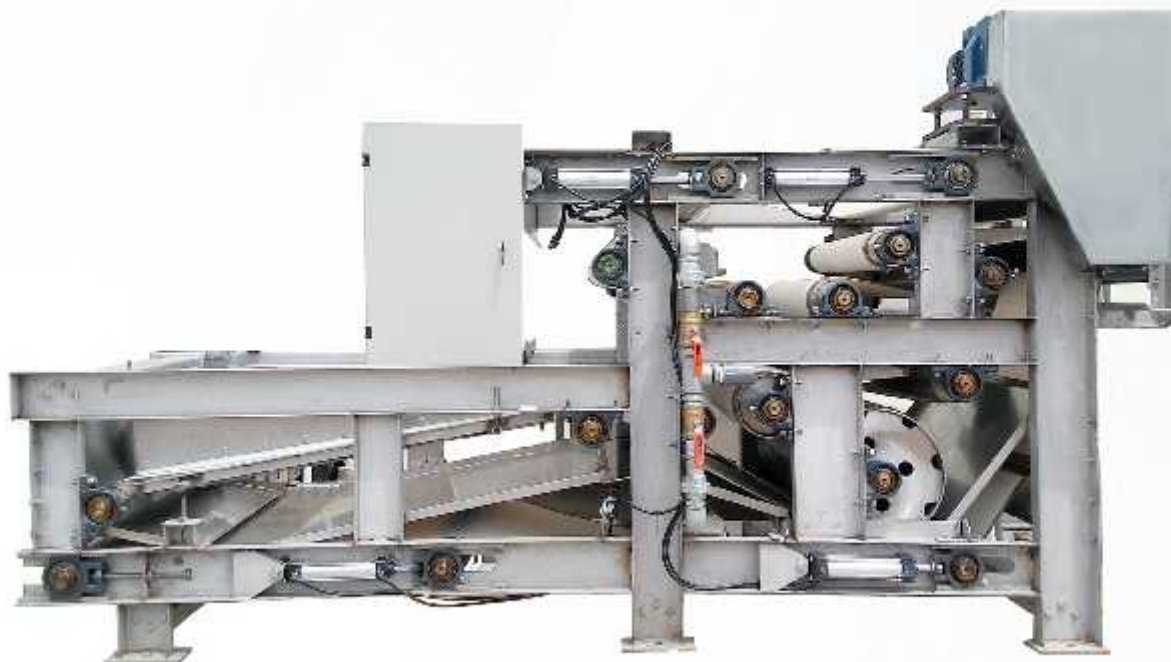


PT. IKAWA MULTI DINAMIKA

BELT PRESS MACHINE

Belt Press Machine (sometimes called a belt press filter, or belt filter press) is an industrial machine, used for solid/liquid separation processes, particularly the dewatering of sludges in the chemical industry, mining and water treatment. Belt Press Machines are also used in the production of apple juice, cider and winemaking. The process of filtration is primarily obtained by passing a pair of filtering cloths and belts through a system of rollers. The system takes a sludge or slurry as a feed, and separates it into a filtrate and a solid cake.

Belt Press Machine is mainly used for dewatering of sludge and slurry and juice extraction from apples, pears and other fruits, as well as grapes for winemaking, etc. Belt Press Machine are used both municipally and industrially in a range of areas including urban sewage and wastewater treatment, metallurgy and mining, steel plants, coal plants, breweries, dyeing, tanneries, as well as chemical and paper factories.



BELT PRESS MACHINE

BP-SERIES

HIGH DEWATERING RATE

IKAWA BP-series is equipped with a good dewatering zone, which ensure a complete gravity dewatering of the sludge before pressure filtration start solid content in the dewatered sludge.

WIDE SCOPE OF APPLICATION

IKAWA BP-Series designed with wide scope of applications, suitable for various kind of sludge from city waste water to industry sludge.

LOW POWER CONSUMPTION AND LOW NOISE

IKAWA BP-Series is designed less power consumption compare with other dewatering equipment, the machine runs on low speed so no develop of the noise.

FULLY AUTOMATIC OPERATION

IKAWA BP-Series is supplied complete all necessary control to cover key operating parameters. The automatic operation provides you more convenient operation and management of the belt press.

LONG LIFE AND EASY MAINTENANCE

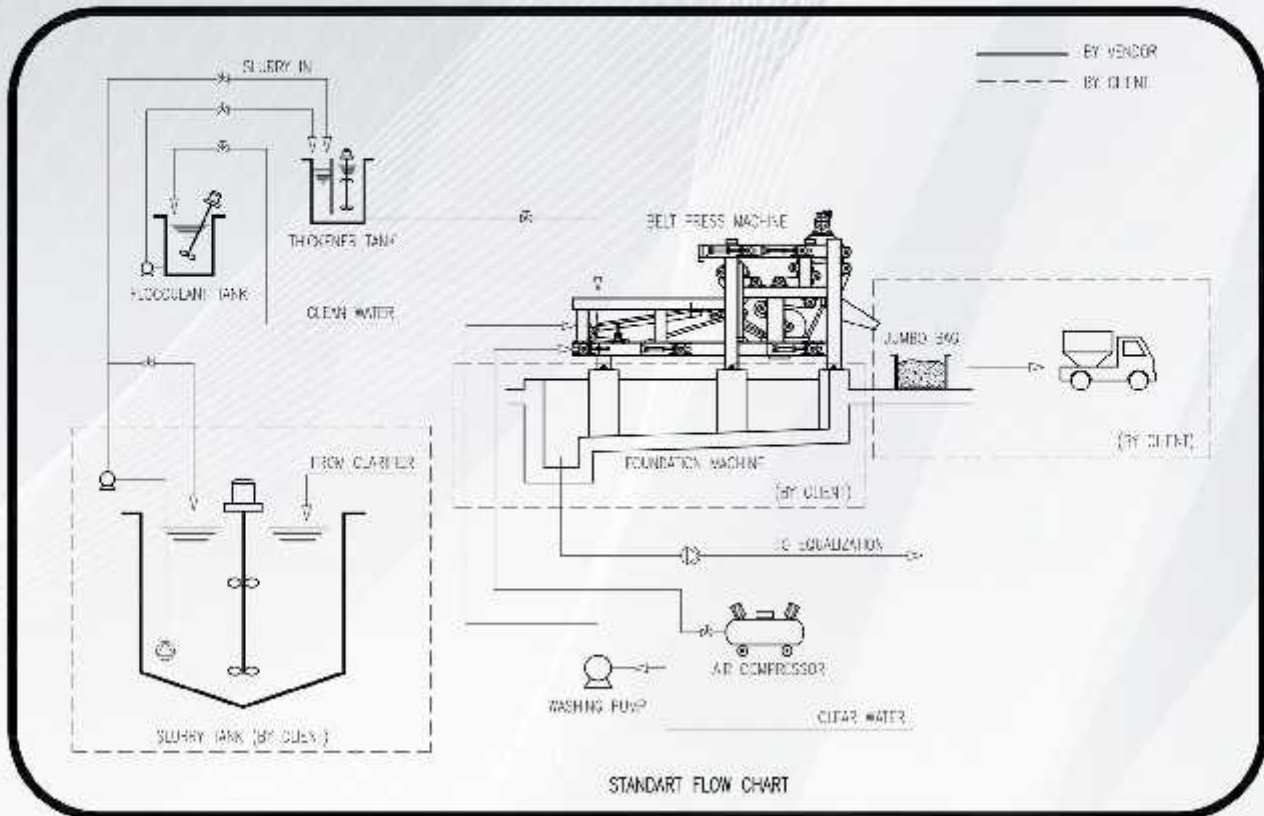
IKAWA BP-Series body and rollers are made from SUS 304 fine stainless steel. No corrosion on the liquid interface part, all parts are designed for easy to maintenance.



TECHNICAL DATA

MODEL		S-08	X-10	X-12	M-12	M-16	M-20
BELT WIDTH	(mm)	800	1000	1250	1300	1600	2000
CAPACITY	(m ³ /hr)	2 to 3	2 to 4.5	4 to 6	6 to 10	7.5 to 12	10 to 15
MOTOR DRIVE	(HP)	0.5	0.5	0.75	0.75	1.5	2
BELT TENSION		Pneumatic	Pneumatic	Pneumatic	Pneumatic	Pneumatic	Pneumatic
BELT ALIGNING		Pneumatic	Pneumatic	Pneumatic	Pneumatic	Pneumatic	Pneumatic
DIMENSION	L (mm)	2000	2250	2610	4210	4320	4560
	W (mm)	1070	1330	1620	1730	2060	2480
	H (mm)	980	1050	1260	1860	2010	2260

BP-SERIES



The processed waste water settled by settling tank, the high solid content sludge discharged from the bottom of the settling tank feed by sludge pump into the Mixing tank. Polymer dosed to the tank and mixing with settled sludge by a high speed agitator equipped on the mixing tank. The mixed sludge flows into sludge thickener which equipped with agitator and special mechanical to helps make strong and bigger sludge flocks. The sludge flocks flows by gravity into the Belt Press Machine for dewatering, under normal condition, dewatered sludge with 15-22% solid content. Dewaterd sludge collected for disposed to approved waste land.



Address: Jl. Raya Kallabang, Ruko Sriwedari Blok P5 No.3A
Taman Harapan Baru, Bekasi,
Jawa Barat, Indonesia

Phone : 021-88388204 (Office)
081219407569 (Arief Firman)

Email : ikawa.marketing@gmail.com
arief.ikawa@gmail.com

Website: www.ikawadinamika.com

Others Product:
Dissolved Air Flootation
Reverse Osmosis
Sludge Dryer
Air Pollution System
Mechanical Electrical