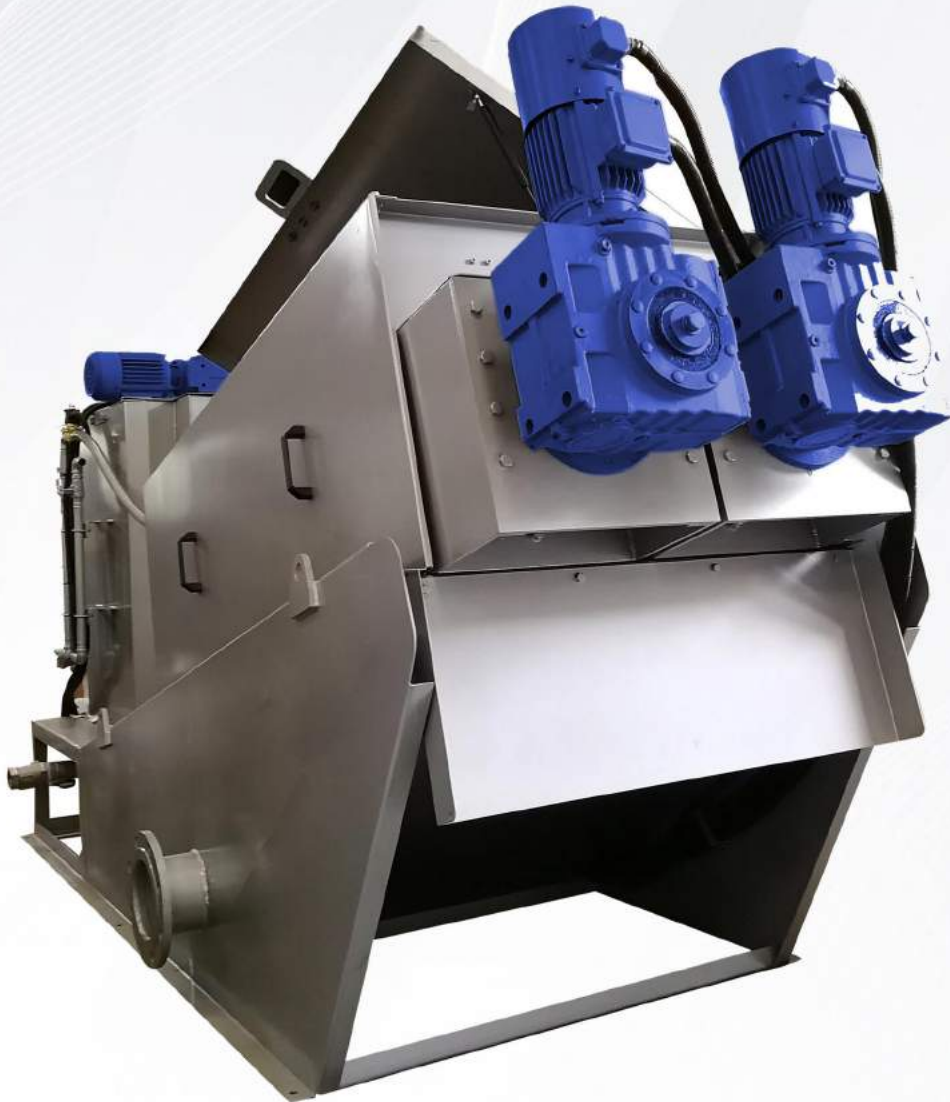


IKAWA
GREAT TECHNOLOGY IS YOURS



**SCREW PRESS
SLUDGE DEWATERING**

SCREW PRESS MACHINE



OVERVIEW

This innovative sludge dewatering product offers many advantages over conventional sludge management methods.

The key to the process is the unique dewatering design. It is able to achieve both thickening and pressing sludge in a single, compact operation.

PRINCIPLE

Sludge is pushed forward to discharge outlet by the pressure from screw blades. The whole filter cylinder is composed of fixed rings, moving rings, and screw shaft installed in the center of cylinder.

The first two sections are thickening zones, the last two sections are dewatering zones.

The space between screw blades gets more narrower, which means the inner pressure gradually gets bigger. Then liquid is squeezed out from the sludge and leaks from the small gaps between rings. As the moving rings are pushed up and down by screw blades, the whole cylinder is protected from blockage.

After the dewatering process, the sludge cake goes out from the discharge outlet.

APPLICATION

1. Textile Industry
 2. Automotive Industry
 3. Oil & Gas Industry
 4. Mining Industry
 5. Food & Beverage Factories
 6. Paper & Pulp Industry
 7. Metal Plating & Finishing
- and Many More.

ADVANTAGE

1. High Dewatering Rate
2. Water Saving
3. Wide Scope of Application
4. Fully Automatic Operation
5. Low Power Consumption
6. Low Noise
7. Long Life & Easy maintenance
8. Responsive Customer Service

SELECTION REFERENCE

MODEL	CAPACITY		SLUDGE VOLUME					
	CONCENTRATION (LOW -> HIGH)		2000 mg/L	5000 mg/L	10000 mg/L	20000 mg/L	25000 mg/L	50000 mg/L
SP1001	3 kg/h	5 kg/h	1.5 m³/h	0.6 m³/h	0.5 m³/h	0.25 m³/h	0.2 m³/h	0.1 m³/h
SP1301	6 kg/h	10 kg/h	3 m³/h	1.2 m³/h	1 m³/h	0.5 m³/h	0.4 m³/h	0.2 m³/h
SP1302	12 kg/h	20 kg/h	6 m³/h	2.4 m³/h	2 m³/h	1 m³/h	0.8 m³/h	0.4 m³/h
SP2002	18 kg/h	30 kg/h	9 m³/h	3.6 m³/h	3 m³/h	1.5 m³/h	1.2 m³/h	0.6 m³/h
SP3001	30 kg/h	50 kg/h	15 m³/h	6 m³/h	5 m³/h	2.5 m³/h	2 m³/h	1 m³/h
SP3002	60 kg/h	100 kg/h	30 m³/h	12 m³/h	10 m³/h	5 m³/h	4 m³/h	2 m³/h
SP3003	90 kg/h	150 kg/h	45 m³/h	18 m³/h	15 m³/h	7.5 m³/h	6 m³/h	3 m³/h
SP3502	120 kg/h	200 kg/h	60 m³/h	24 m³/h	20 m³/h	10 m³/h	8 m³/h	4 m³/h
SP3503	180 kg/h	300 kg/h	90 m³/h	36 m³/h	30 m³/h	15 m³/h	12 m³/h	6 m³/h
SP4003	270 kg/h	450 kg/h	135 m³/h	54 m³/h	45 m³/h	22 m³/h	18 m³/h	9 m³/h
SP4004	360 kg/h	600 kg/h	180 m³/h	72 m³/h	60 m³/h	30 m³/h	24 m³/h	12 m³/h

SPECSIFICATIONS

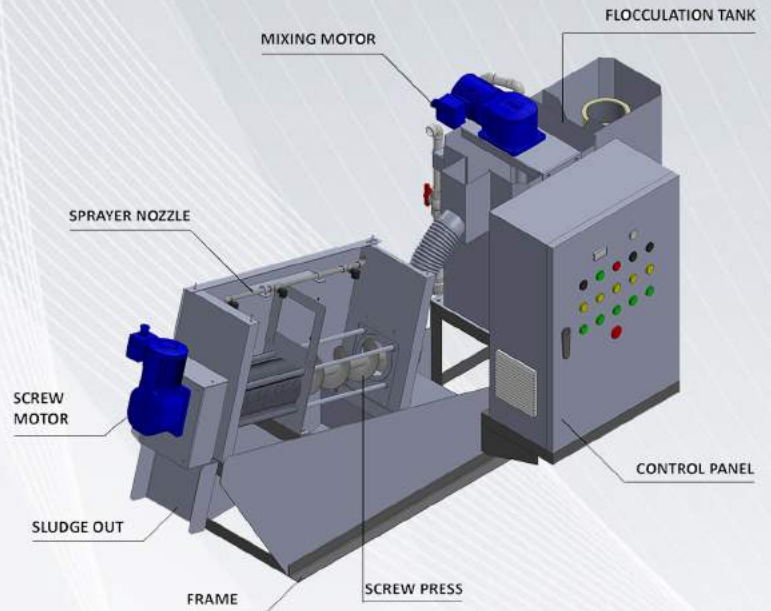
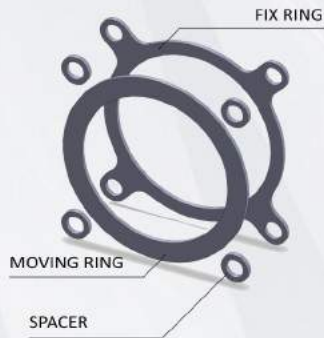
MODEL	SCREW SHAFT SPECIFICATION	DISTANCE FROM SLUDGE CAKE OUTLET TO GROUND	DIMENSION			N.W.	PROCESSING WEIGHT
			L	W	H		
SP1001	Ø100x1	215	1816	756	1040	190 kg	280 kg
SP1301	Ø130x1	250	1969	756	1040	205 kg	300 kg
SP1302	Ø130x2	250	2069	910	1040	275 kg	420 kg
SP2002	Ø200x2	350	2500	935	1270	470 kg	680 kg
SP3001	Ø300x1	495	3255	985	1600	820 kg	1230 kg
SP3002	Ø300x2	495	3455	1295	1600	1350 kg	2050 kg
SP3003	Ø300x3	495	3605	1690	1600	1820 kg	2810 kg
SP3502	Ø350x2	585	4140	1550	2250	2450 kg	3400 kg
SP3503	Ø350x3	585	4420	2100	2250	3350 kg	4850 kg
SP4003	Ø400x3	800	5150	2350	2550	4350 kg	6400 kg
SP4004	Ø400x4	800	5350	2850	2550	5250 kg	8500 kg

OPERATING CONDITIONS

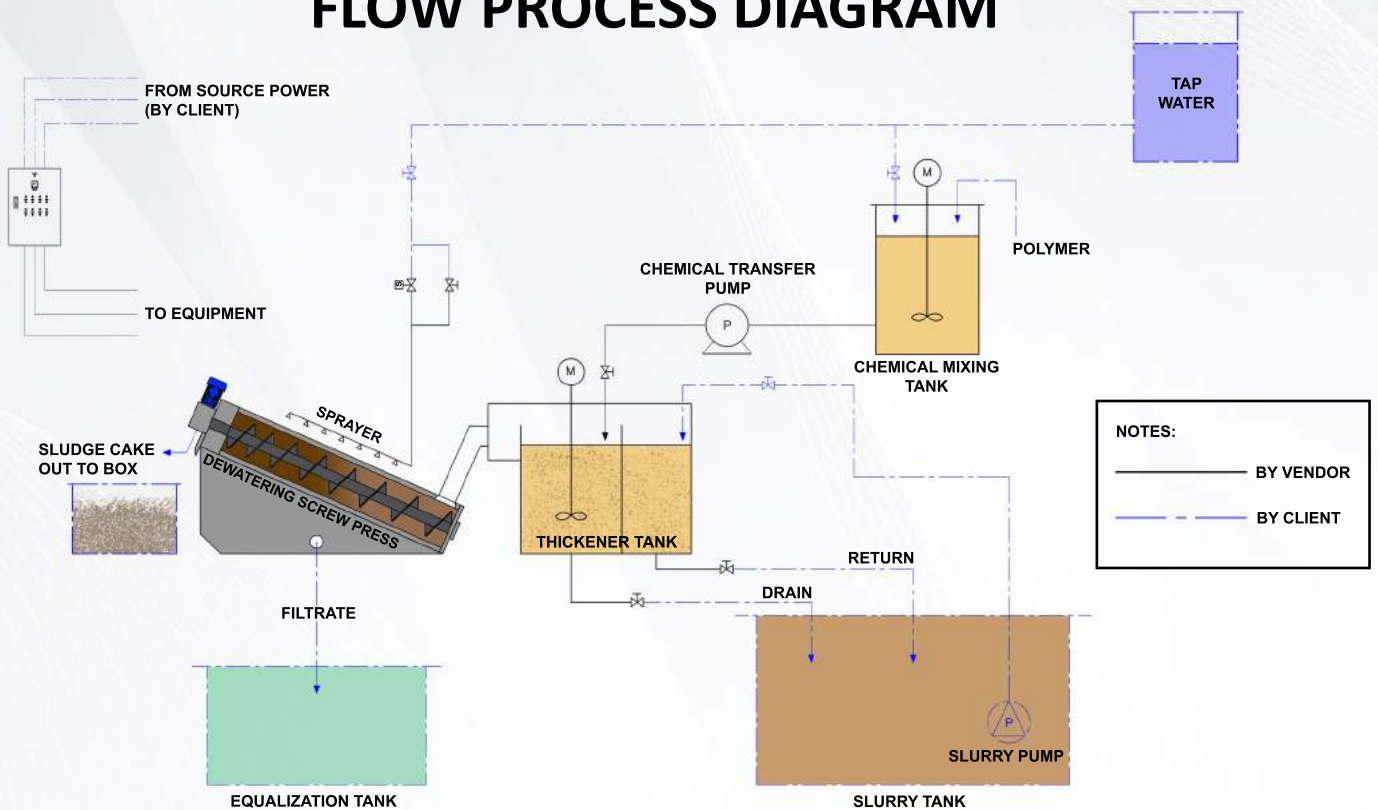
MODEL	MOTOR POWER (kw)			SPRAYER WATER PRESSURE	SPRAYER WATER VOLUME (L/h)	MAINTENANCE FREQUENCY	SERVICE LIFE	
	SCREW	MIXER	TOTAL				SCREW AXIS	MOVING RING
SP1001	0.1	0.1	0.2	0.1 Kpa - 0.2 Kpa	24	Daily (5 min/day)	3.4	1.7
SP1301	0.1	0.1	0.2		24		3.4	1.7
SP1302	0.2	0.1	0.3		48		3.4	1.7
SP2002	0.4	0.4	0.8		64		3.4	1.7
SP3001	0.4	0.4	0.8		40		11	3.4
SP3002	0.8	0.4	1.2		80		11	3.4
SP3003	1.2	0.75	1.95		120		11	3.4
SP3502	3.0	0.75	3.75		144		11	3.4
SP3503	4.5	1.5	6.0		216		11	3.4
SP4003	4.5	1.5	6.0		316		11	3.4
SP4004	6	1.87	7.87	450	11	3.4		

DEWATERING TYPE COMPARISON

ITEM	TYPE	SREW PRESS	BELT PRESS	FILTER PRESS	CENTRIFUGE
Construction					
Low Concentration Sludge Dewatering		Yes	No	No	No
Sludge Viscous Requirement		Low	High	High	Medium
24 Hour Automatic Operation		Yes	Yes	No	No
Water Consumption		Minimum	Medium	Much	Minimum
Electricity Consumption		Minimum	Much	Medium	Maximum
Sludge Thickening Tank		No Need	Need	Need	Need
Sludge Storage Tank		No need	Need	Need	Need
Noise & Vibration		Small	Small	Medium	Very Big



FLOW PROCESS DIAGRAM



PT. IKAWA MULTI DINAMIKA

Address : Jl. Raya Kaliabang, Ruko Sriwedari Blok P5 No.3A
Taman Harapan Baru, Bekasi,
Jawa Barat, Indonesia

Phone : 021-88388204 (Office)
081219407569 (Arief Firman)

Email : ikawa.marketing@gmail.com
arief.ikawa@gmail.com

Website : www.ikawadinamika.com

Others Product:

Belt Press

Dissolved Air Floatation

Reverse Osmosis

Sludge Dryer

Advance Oxidation Process (AOP)

Air Pollution System

Mechanical Electrical

Chemical WWTP Supply